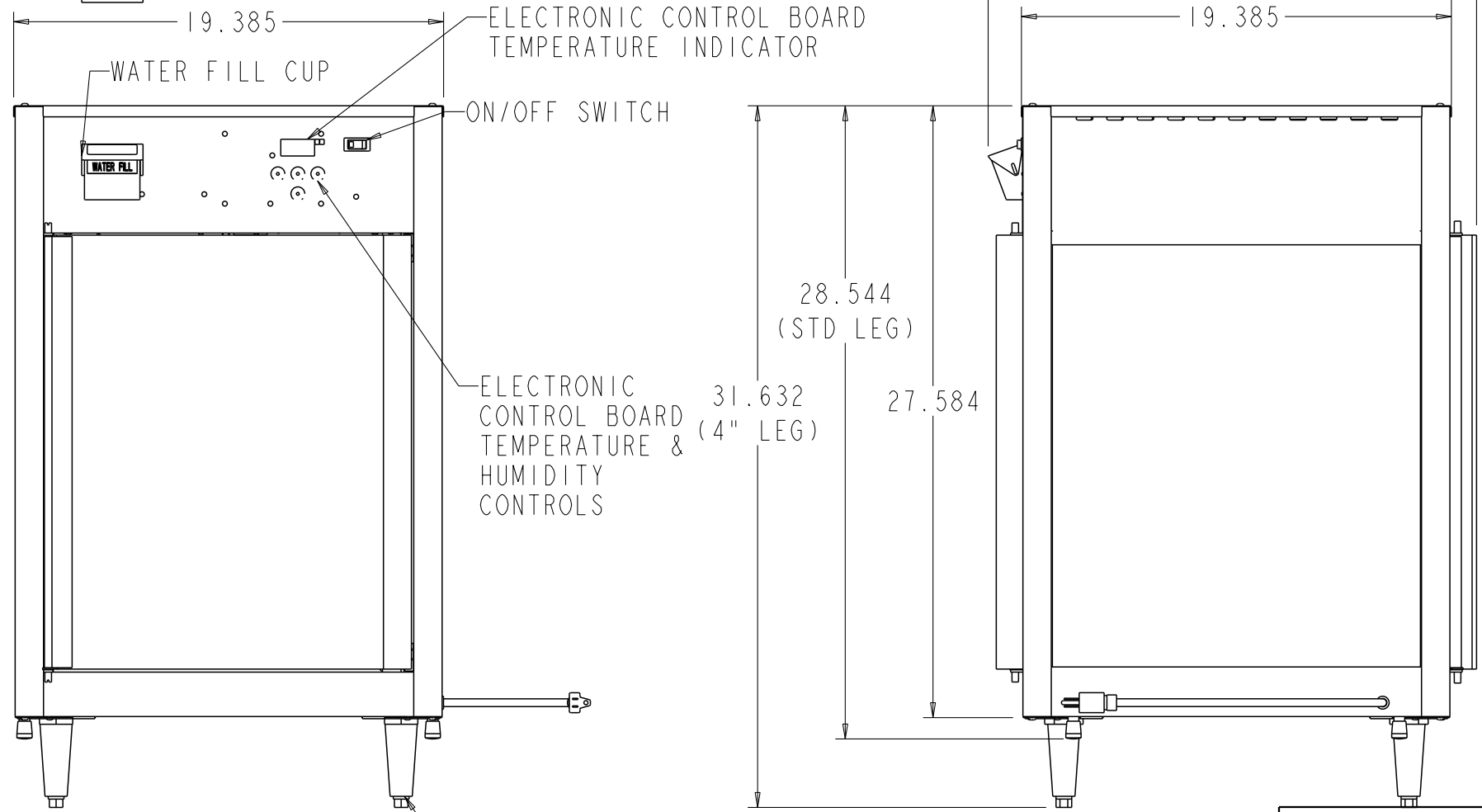


ACCESSORIES	
4 TIER CIRCLE RACK	
4 SHELF RACK	
4 SHELF SLANTED RACK	
3 TIER PRETZEL TREE	
MOTORLESS RACK COUPLING	
4" ADJUSTABLE LEGS	
FOOD DECALS	
SIGN HOLDERS	

MODEL	TYPE OF RACK	RACK MOTOR
FDWD-2	3 TIER CIRCLE RACK	WITH RACK MOTOR
FDWD-2X	3 TIER PAN RACK	WITHOUT RACK MOTOR

WIRING DIAGRAM	VOLTS	WATTS	AMPS
10-01-555	120	1420	11.8
10-01-555 W/O HUMIDITY	120	1095	9.1



- NOTE:
- 1) SEE 10-03-395 FOR ASSEMBLY DRAWING.
 - 2) SEE 10-02-577 CONSTRUCTION DRAWING FOR FDWD 1 DOOR UNIT.
 - 3) SEE 10-03-380 ASSEMBLY DRAWING FOR FDWD 1 DOOR UNIT.
 - 4) STANDARD FDWD CABINET COMES WITH CORNER POST AND DOOR HANDLE & DOOR HINGE EXTRUSIONS IN ANODIZED ALUMINUM COLOR, AND CR BASE ASSEMBLY, CR CONTROL AREA ASSEMBLY, 4" LEG MOUNTING BRACKET (IF OPTION IS REQUESTED) & CR HOOD WILL BE PAINTED BLACK. UNITS ARE AVAILABLE IN STANDARD POWERCOAT DESIGNER COLORS, WHICH WILL HAVE ALL EXTRUSIONS AND CR BASE, CONTROL AREA, 4" LEG MOUNTING BRACKET (IF OPTION IS REQUESTED) AND HOOD PAINTED MATCHING DESIGNER COLORS.
 - 5) DOOR OPENING 19 3/4" TALL X 15 3/4" WIDE.
 - 6) WILL ACCEPT 1/2 SHEET PANS.
 - 7) DOOR HINGED LEFT OR HINGED RIGHT.
 - 8) UNITS AVAILABLE IN ALL DESIGNER COLORS.
 - 9) 4" LEG OPTION WILL REQUIRE MOUNTING BRACKETS

RELEASE AND REVISION HISTORY				CK:	
RV	DESCRIPTION	DATE	ENG	RB	
1	RELEASED ECO.#17434	4-25-07	JLC	DLE	
2	ADDED NOTES, ECO.#17509	5-17-07	JLC	JRM	
3	MODIFIED NOTE, ECO.#17564	6-5-07	JLC	JRM	
-	-	-	-	-	
-	-	-	-	-	
-	-	-	-	-	
-	-	-	-	-	
-	-	-	-	-	

UNLESS OTHERWISE SPECIFIED
 DIMS ARE IN INCHES
 TOL ON ANGLE ±2.0°
 2 PL ±0.02 3 PL ±0.016
 HOLE SIZES: +.005/- .002

THIS PRINT IS NOT TO BE REPRODUCED WITHOUT PERMISSION OF HATCO CORP.

Released

HATCO CORP., MILWAUKEE, WI

DESCRIPTION
 FDWD-2, -2X, CONSTRUCTION

PART NUMBER N/A	DRAWING NUMBER 10-02-584	REV 3
SCALE: 0.140	PROJ: 956305	SHEET 1 OF 1